

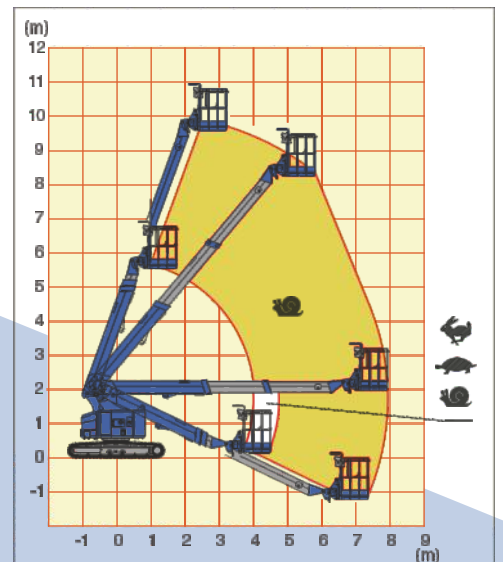
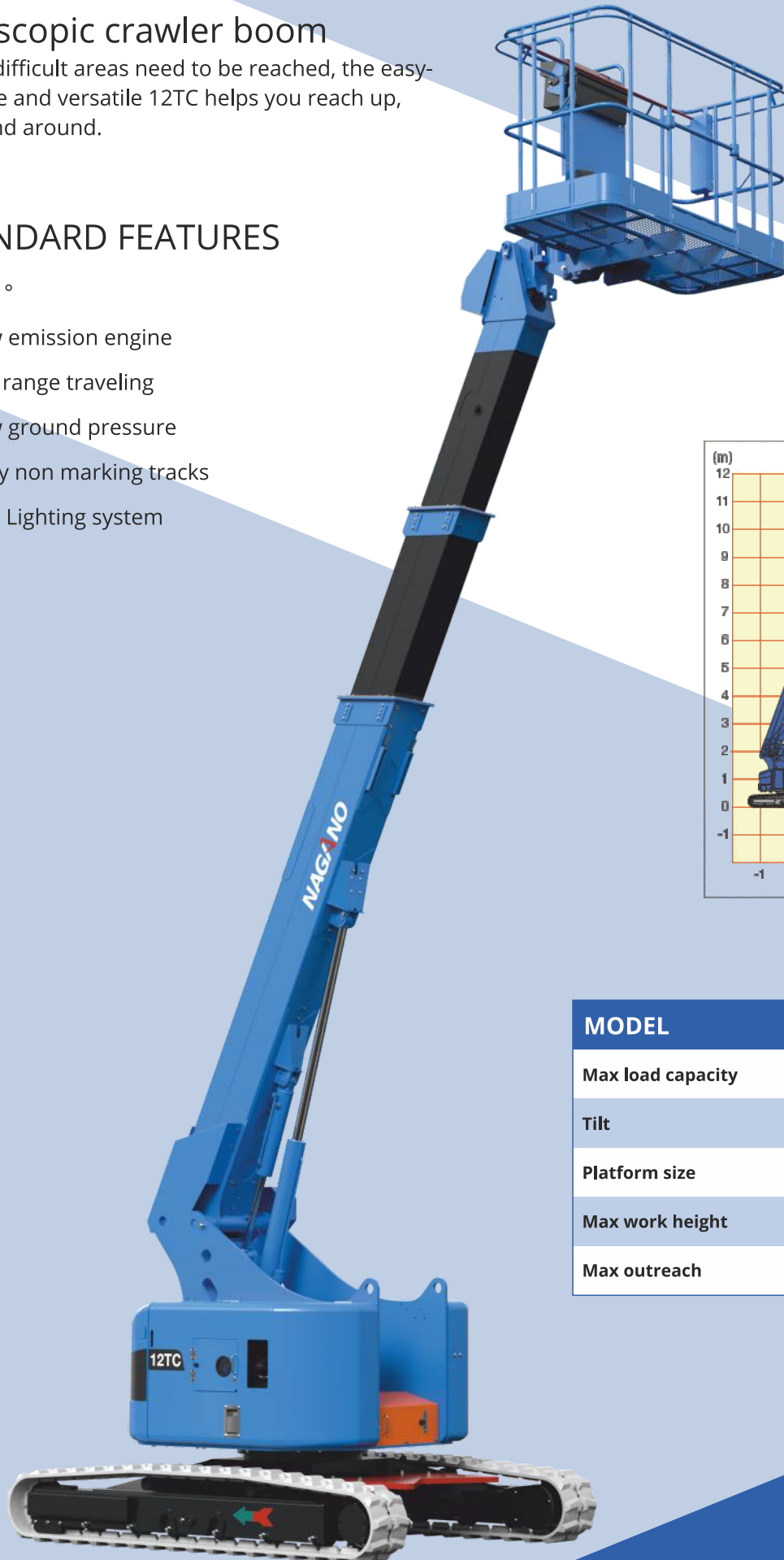
→ Nagano 12TC

Telescopic crawler boom

When difficult areas need to be reached, the easy-to-store and versatile 12TC helps you reach up, over and around.

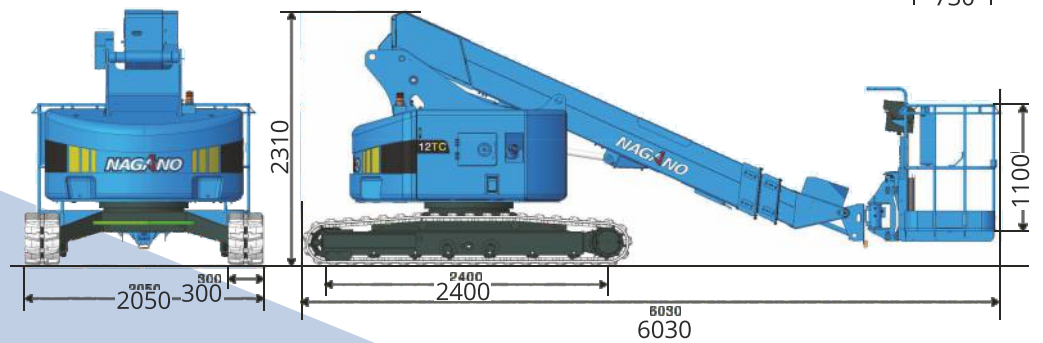
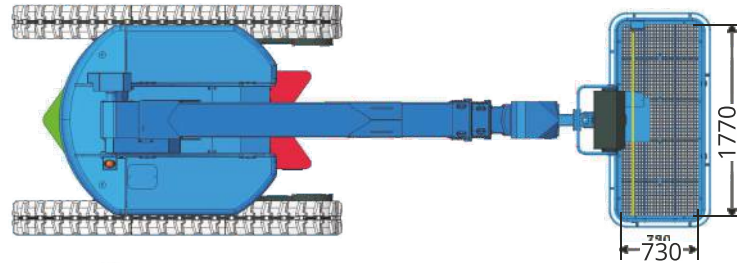
STANDARD FEATURES

- ✓ 360 °
- ✓ Low emission engine
- ✓ Full range traveling
- ✓ Low ground pressure
- ✓ Grey non marking tracks
- ✓ LED Lighting system



MODEL	12TC
Max load capacity	200 kg
Tilt	5 °
Platform size	1,77 x 0,73 x 1,10 m
Max work height	11,70 m
Max outreach	7,90 m

MODEL		12TC
SPECIFICATIONS	Max work height	11,70 m
	Max outreach	7,90 m
	Allowable tilt	5 °
	Max load capacity	200 kg
	Platform size (L x W x H)	1,77 x 0,73 x 1,10 m
	Swing angle basket	L90 ~ R90 °
	Transport dims (L x W x H)	6,03 x 2,05 x 2,31 m
	Machine weight	5.970 kg
TRA.	Travel speeds	0,7 / 1,3 / 2,4 km/h
POWER SOURCE	Engine type	Kubota D1105
	Rated power	11,4 / 2400 kW/min
	Fuel tank capacity	41 l
SAFETY DEVICES	Emergency stop	✓
	Food switch / Enabling switch	✓
	Auxiliary lowering control	✓
	Overload sensing system	✓
	Battery isolator switch	✓
	LED lighting	✓



For all our types:

